

# *Grizzly* **Industrial, Inc.**®

## MODEL H8219 AIR ORBITAL SANDER INSTRUCTION MANUAL



COPYRIGHT © AUGUST, 2007 BY GRIZZLY INDUSTRIAL, INC.  
WARNING: NO PORTION OF THIS MANUAL MAY BE REPRODUCED IN ANY SHAPE  
OR FORM WITHOUT THE WRITTEN APPROVAL OF GRIZZLY INDUSTRIAL, INC.  
#JM9840 PRINTED IN CHINA

 **WARNING!**

**This manual provides critical safety instructions on the proper setup, operation, maintenance and service of this machine/equipment.**

**Failure to read, understand and follow the instructions given in this manual may result in serious personal injury, including amputation, electrocution or death.**

**The owner of this machine/equipment is solely responsible for its safe use. This responsibility includes but is not limited to proper installation in a safe environment, personnel training and usage authorization, proper inspection and maintenance, manual availability and comprehension, application of safety devices, blade/cutter integrity, and the usage of personal protective equipment.**

**The manufacturer will not be held liable for injury or property damage from negligence, improper training, machine modifications or misuse.**

 **WARNING!**

**Some dust created by power sanding, sawing, grinding, drilling, and other construction activities contains chemicals known to the State of California to cause cancer, birth defects or other reproductive harm. Some examples of these chemicals are:**

- **Lead from lead-based paints.**
- **Crystalline silica from bricks, cement and other masonry products.**
- **Arsenic and chromium from chemically-treated lumber.**

**Your risk from these exposures varies, depending on how often you do this type of work. To reduce your exposure to these chemicals: Work in a well ventilated area, and work with approved safety equipment, such as those dust masks that are specially designed to filter out microscopic particles.**

# SAFETY

## **WARNING**

### **For Your Own Safety Read Instruction Manual Before Operating This Equipment**

The purpose of safety symbols is to attract your attention to possible hazardous conditions. This manual uses a series of symbols and signal words which are intended to convey the level of importance of the safety messages. The progression of symbols is described below. Remember that safety messages by themselves do not eliminate danger and are not a substitute for proper accident prevention measures.



Indicates an imminently hazardous situation which, if not avoided, **WILL** result in death or serious injury.



Indicates a potentially hazardous situation which, if not avoided, **COULD** result in death or serious injury.



Indicates a potentially hazardous situation which, if not avoided, **MAY** result in minor or moderate injury. It may also be used to alert against unsafe practices.

**NOTICE**

This symbol is used to alert the user to useful information about proper operation of the equipment.

## **WARNING**

### **Safety Instructions for Pneumatic Tools**

- 1. READ THIS MANUAL.** This tool may cause personal injury if used incorrectly. This manual contains proper safety and operating instructions that must be followed to reduce this risk.
- 2. WEAR EYE PROTECTION.** This tool may throw small fragments during operation, which may cause serious eye injury. Always wear ANSI approved safety glasses or face shield to reduce your risk from this hazard.
- 3. WEAR A RESPIRATOR.** This tool may produce fine dust during operation, which can cause respiratory injury if inhaled. Always wear a respirator NIOSH approved for the type of material being processed.
- 4. WEAR HEARING PROTECTION.** Operating this tool for prolonged time periods may damage your hearing. Your risk depends on length and frequency of use. To reduce your risk of this hazard, wear hearing protection.
- 5. MAINTAIN SAFETY GUARDS.** Your tool may be equipped with safety guards or other structural components designed to reduce the risk of injury during operation. Never modify or operate this tool with any guards or components removed or damaged.
- 6. KEEP CHILDREN AWAY.** Prevent children from injury by keeping them away from this tool. Disconnect and lock the tool away when not in use.

7. **AVOID ENTANGLEMENTS.** Do not wear loose clothing, gloves, neckties, rings, bracelets, or other jewelry, which may get caught in moving parts, when operating this tool. Wear a protective hair covering to contain long hair.
8. **USE CORRECT AIR PRESSURE.** Exceeding the maximum PSI rating of this tool may cause unpredictable operation or bursting.
9. **DISCONNECT AIR PRESSURE** before servicing, changing accessories, or moving to another location. Never leave this tool unattended when connected to air.
10. **SECURE TOOLING.** Always verify tooling is secure before operation.
11. **SHARP SURFACES.** DO NOT place hands near the tooling surfaces when in operation.
12. **REMOVE ADJUSTING KEYS AND WRENCHES AFTER USE.** These tools become dangerous projectiles if left on the tool when it is started.
13. **AVOID FLAMMABLES.** Do not use this tool around any flammables that may be ignited by sparks.
14. **SECURE WORK.** Use clamps or a vise to hold work when practical. It is safer than using your hand and frees both hands to operate tool.
15. **MAINTAIN TOOLS WITH CARE.** Keep tools lubricated and clean for best and safest performance. Follow instructions for lubricating and changing accessories.
16. **DO NOT FORCE TOOL.** It will do the job better and safer at the rate for which it was designed.
17. **CHECK FOR DAMAGED PARTS BEFORE USING.** Check for binding and alignment of parts, broken parts, part mounting, loose bolts, and any other conditions that may affect operation. Repair or replace damaged parts before operating.
18. **USE GOOD LIGHTING.** Keep work area well lighted. Dark work areas increase risk of accidental injury.
19. **AVOID UNINTENTIONAL OPERATION.** Always disconnect air when not in use, and do not carry tool with hand on trigger.
20. **USE THE RECOMMENDED ACCESSORIES.** Consult owner's manual for recommended accessories. Using improper accessories may increase the risk of injury.
21. **NEVER ALLOW UNTRAINED USERS TO USE THIS TOOL WHILE UNSUPERVISED.**
22. **IF YOU ARE UNSURE OF THE INTENDED OPERATION, STOP USING TOOL.** Seek formal training or research books or magazines that specialize in pneumatic tools.
23. **BE AWARE OF HOSE LOCATION.** Hoses can easily become a tripping hazard when laid across the floor in a disorganized fashion.
24. **DO NOT USE UNDER THE INFLUENCE OF DRUGS OR ALCOHOL, OR WHEN TIRED.**

## **CAUTION**

No list of safety guidelines is complete, because every work environment is different. Always consider safety first and use common sense. Failure to use this tool with caution and respect could result in serious personal injury.

# INTRODUCTION

---

---

## Foreword

---

---

The specifications, details, and photographs in this manual represent the Model H8219 as supplied when the manual was prepared. However, owing to Grizzly's policy of continuous improvement, changes may be made at any time with no obligation on the part of Grizzly.

If you have any comments regarding this manual, please write to us at the following address:

Grizzly Industrial, Inc.  
C/O Technical Documentation  
P.O. Box 2069  
Bellingham, WA 98227-2069  
E-Mail: manuals@grizzly.com

Most importantly, we stand behind our tools. If you have any service questions or parts requests, please call or write us at the location listed below.

Grizzly Industrial, Inc.  
1203 Lycoming Mall Circle  
Muncy, PA 17756  
Phone: (570) 546-9663  
Fax: (800) 438-5901  
E-Mail: techsupport@grizzly.com  
Web Site: <http://www.grizzly.com>

## Specifications

---

---

No Load Speed.....8,000 RPM  
Air Consumption.....6 CFM  
Air Inlet.....1/4"  
Required PSI.....90 PSI

## Specifications

---

---

### H8219 Inventory

- A. Air Orbital Sander
- B. 1/4" NPT Male Quick Connect Fitting
- C. Tool Oil Bottle

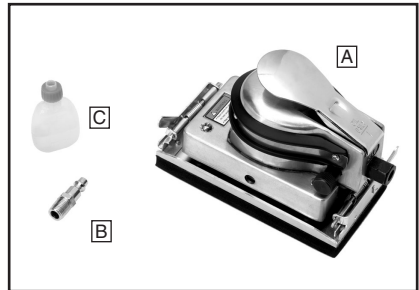
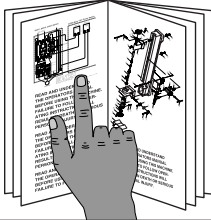


Figure 1. Model H8219 Inventory.

# OPERATIONS

## WARNING



Read the manual before operation. Become familiar with this tool, its safety instructions, and its operation before beginning any work. Serious personal injury may result if safety or operational information is not understood or followed.

## WARNING

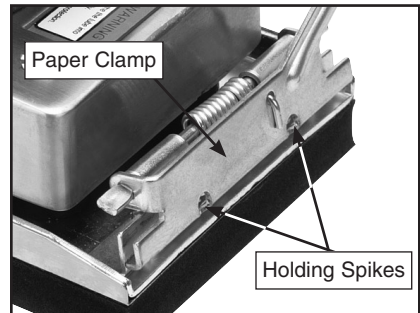
Like all tools there is potential danger when operating this tool. Accidents are frequently caused by lack of familiarity or failure to pay attention. If normal safety precautions are overlooked or ignored, serious personal injury may occur.

### Attaching Sandpaper

1. DISCONNECT THE SANDER FROM THE AIR SUPPLY!
2. Install the  $\frac{1}{4}$ " NPT male quick-connect fitting into the air inlet.
3. The sanding pad for the Model H8219 measures  $6\frac{1}{2}$ " X  $3\frac{1}{2}$ ". New sandpaper sheets can be obtained by cutting down a single sheet or a piece from a roll. Cut at least  $2\frac{1}{2}$ " extra for the length to fasten it properly.

**Note:** *Using sandpaper that is torn or is smaller than the sanding pad will cause excessive wear and damage your sander.*

4. Attach the sandpaper by clamping it onto both ends of the sander with the paper clamps as, shown in **Figure 2**.



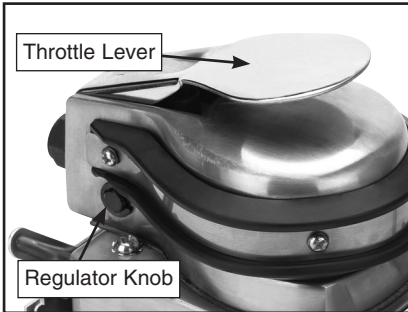
**Figure 2.** Attaching the sandpaper.

5. Firmly press the paper clamps until the holding spikes (**Figure 2**) push through the sandpaper.

<b>⚠ WARNING</b>	
	<b>EYE INJURY HAZARD!</b> Wear protective equipment when using this tool.

### Using the Sander

1. Plug the tool into compressed air regulated at 90 PSI.
2. Hold the sander firmly and press the throttle lever (**Figure 3**) to turn it **ON**.
3. Turn the regulator knob (**Figure 3**) to adjust the speed of the air sander.



**Figure 3.** Sander controls.

4. Remove pressure on the throttle lever to stop the sander.
5. When the sandpaper loses its effectiveness, remove sandpaper from the pad, and replace with a new piece.

<b>⚠ CAUTION</b>	
To avoid accidental starting, disconnect the sander from the air supply when it is not in use.	

<b>⚠ WARNING</b>	
	<b>LUNG/EAR INJURY HAZARD!</b> Wear protective equipment when using this tool.
	<b>ACCIDENTAL START HAZARD!</b> Disconnect before service or tool changes.
	<b>AIR PRESSURE HAZARD!</b> Never exceed max PSI rating for tool.

### Daily Maintenance

The air sander **MUST** have 2-6 drops of oil dropped directly into the air fitting before and after each use.

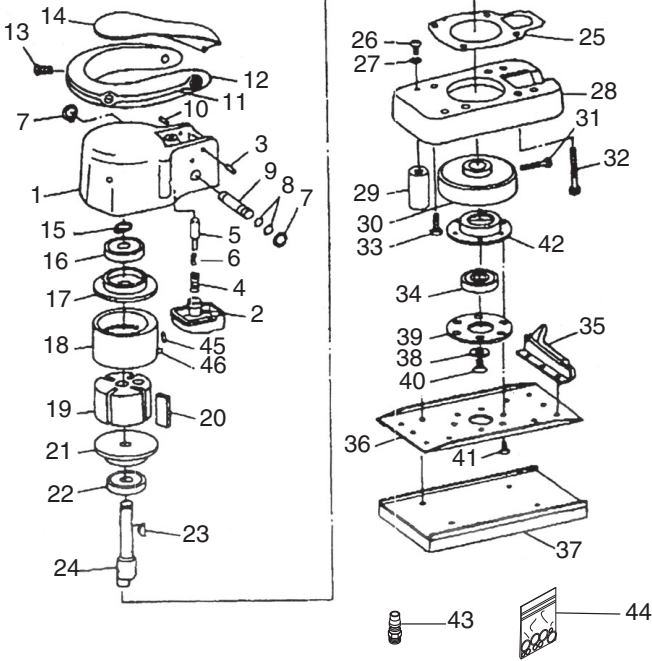
A filter/lubricator/regulator set up is not recommended, as excess oil in the tool could spray onto the workpiece.

Run the sander for a few minutes to eject excess oil, then wipe the tool down with a rag and begin sanding. Oil the tool after use or storage.

#### These procedures should be done after each use:

- Wipe the housing with a dry cloth, or blow off the dust and debris with compressed air.
- Check for damage to tooling, hoses, housing or other accessories.

# H8219 PARTS LIST



REF	PART #	DESCRIPTION
1	PH8219001	MOTOR HOUSING
2	PH8219002	FOAM MUFFLER
3	PH8219003	LEVER PIN
4	PH8219004	COMPRESSION SPRING
5	PH8219005	PLUNGER
6	PH8219006	AIR COUPLER
7	PEC13M	E-CLIP 5MM
8	PORP005	O-RING 4.8 X 1.9 P5
9	PH8219009	SPEED REGULATOR
10	PH8219010	LEVER PIN
11	PH8219011	GRIP BAND
12	PH8219012	RUBBER GRIP
13	PH8219013	GRIP SCREW
14	PH8219014	THROTTLE LEVER
15	PH8219015	RETAINING RING
16	PH8219016	BALL BEARNING 1.5 X 11
17	PH8219017	END PLATE
18	PH8219018	CYLINDER
19	PH8219019	ROTOR
20	PH8219020	ROTOR BLADE
21	PH8219021	FRONT END PLATE
22	P6200	BALL BEARING 6200ZZ
23	PH8219023	ROTOR KEY

REF	PART #	DESCRIPTION
24	PH8219024	ROTOR SHAFT
25	PH8219025	GASKET
26	PH8219026	MOUNT SCREW
27	PH8219027	LOCK WASHER
28	PH8219028	BASE
29	PH8219029	RUBBER MOUNT
30	PH8219030	BALANCER
31	PH8219031	BALANCER LOCK SCREW
32	PSB166M	CAP SCREW M16-2 X 30
33	PSB20M	CAP SCREW M5-.8 X 14
34	PH8219034	BALL BEARNING 5 X 35
35	PH8219035	PAPER CLAMP
36	PH8219036	PAD BASE
37	PH8219037	SANDING PAD
38	PH8219038	RETAINING RING
39	PH8219039	BEARING GASKET
40	PH8219040	BEARING SCREW
41	PH8219041	BEARING HANG SCREW
42	PH8219042	BEARING HOUSING
43	PH8219043	1/4" NPT MALE AIR FITTING
44	PH8219044	O-RING KIT
45	PH8219045	O-RING CYLINDER
46	PH8219046	PIN CYLINDER